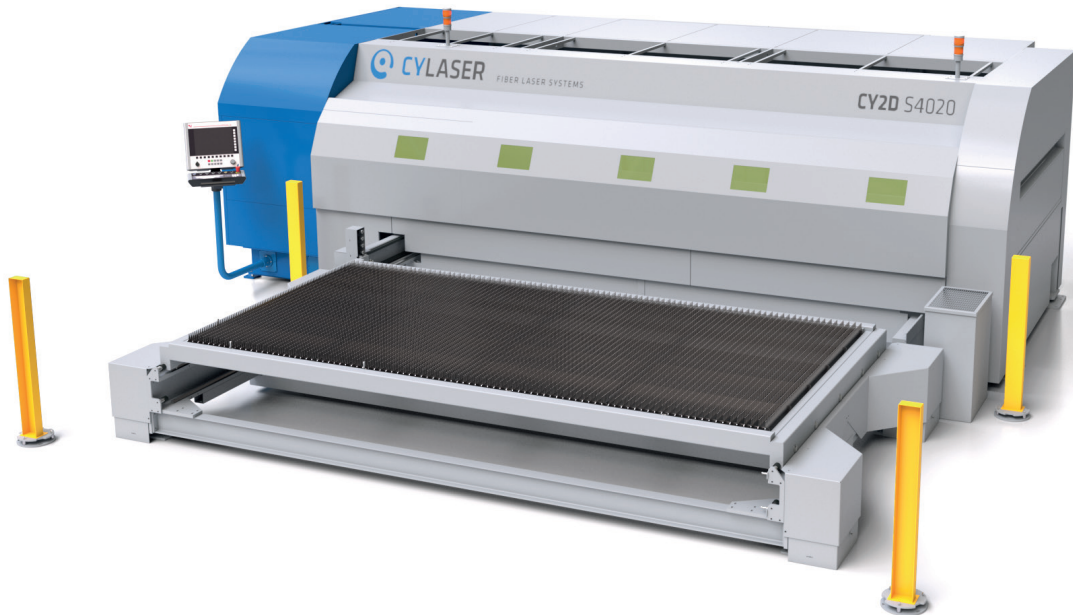
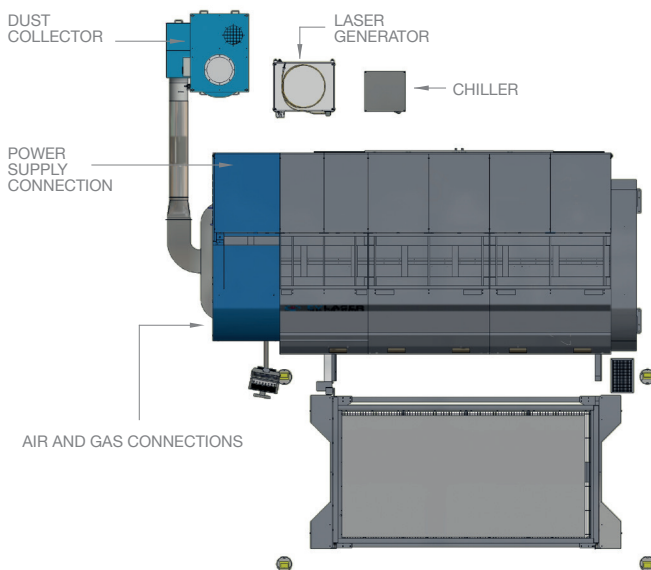
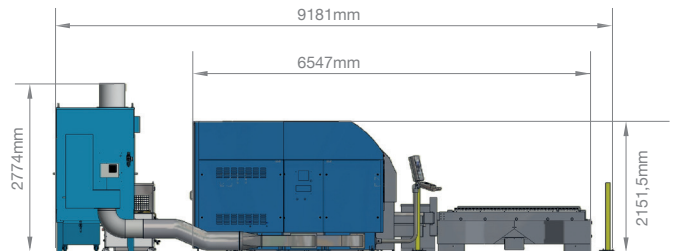
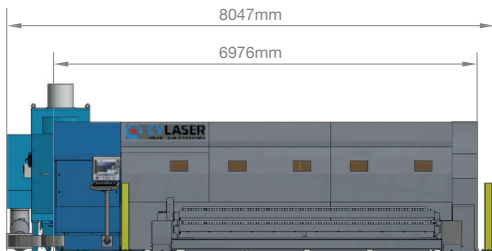


## FIBER LASER SYSTEM

# CY2D S4020



### DIMENSIONS



### CY2D S4020

- > Interfaces with Material Load and Unload systems
- > Compact layout, to optimize floor space
- > EVO III, the most advanced cutting head in the fiber laser industry

## CY2D LASER SOURCE AND CAPABILITIES CHART

Generator Model		20K	30K	40K	50K	60K	80K	100K
<b>Nominal Power</b>	kW	2	3	4	5	6	8	10
<b>Power Requirement</b>	kW	6	9	12	15	18	24	30
<b>Total installation (*)</b>	kW	22	27	30	33	36	42	48
<b>Frequency</b>	nm	1074	1074	1074	1074	1074	1074	1074
<b>Maximum Cutting Capabilities</b>								
Carbon Steel	mm	15	20	25	25	25	25	25
Stainless Steel	mm	6	12	15	18	20	20	20
Aluminum Alloys	mm	6	12	15	18	20	20	20
Brass	mm	4	6	8	10	12	12	12

## CY2D S4020

<b>Working Area</b>		
X Axis Travel	mm	4100
Y Axis Travel	mm	2030
Z Axis Travel	mm	120
<b>Max Loading Capacity on each table</b>	kg	1600
<b>Table change time</b>	sec	40
<b>AXES KINEMATIC</b>		
Minimum and maximum cutting speed	mm/min.	150/50.000
Positioning Speed (X and Y axes)	mm/min.	110.000
Interpolated Positioning Speed	mm/min.	155.000
Acceleration	mm/sec <sup>2</sup>	9000
<b>PRECISION</b>		
Repeatability precision	mm	0,03
Parallelism and squareness over 31.5 inches of machine structure	mm	0,08
Cut perpendicularity (tolerance per 1 inch of thickness)	mm	0,01
<b>FOOTPRINT</b>		
Overall Length	mm	6976
Width	mm	6547
Height	mm	2152
<b>Total weight (excluding auxiliary equipment)</b>	kg	12500
<b>Required Dust Collector</b>		6C
<b>Color</b>	RAL	7040
	RAL	5015
<b>VOLTAGE REQUIRED (**):</b>	V Triphase	Upon Request
Frequency	HZ	50 / 60

(\*) fiber laser generator, exhaust filter, chiller, 2d machine. (\*\*) available on request