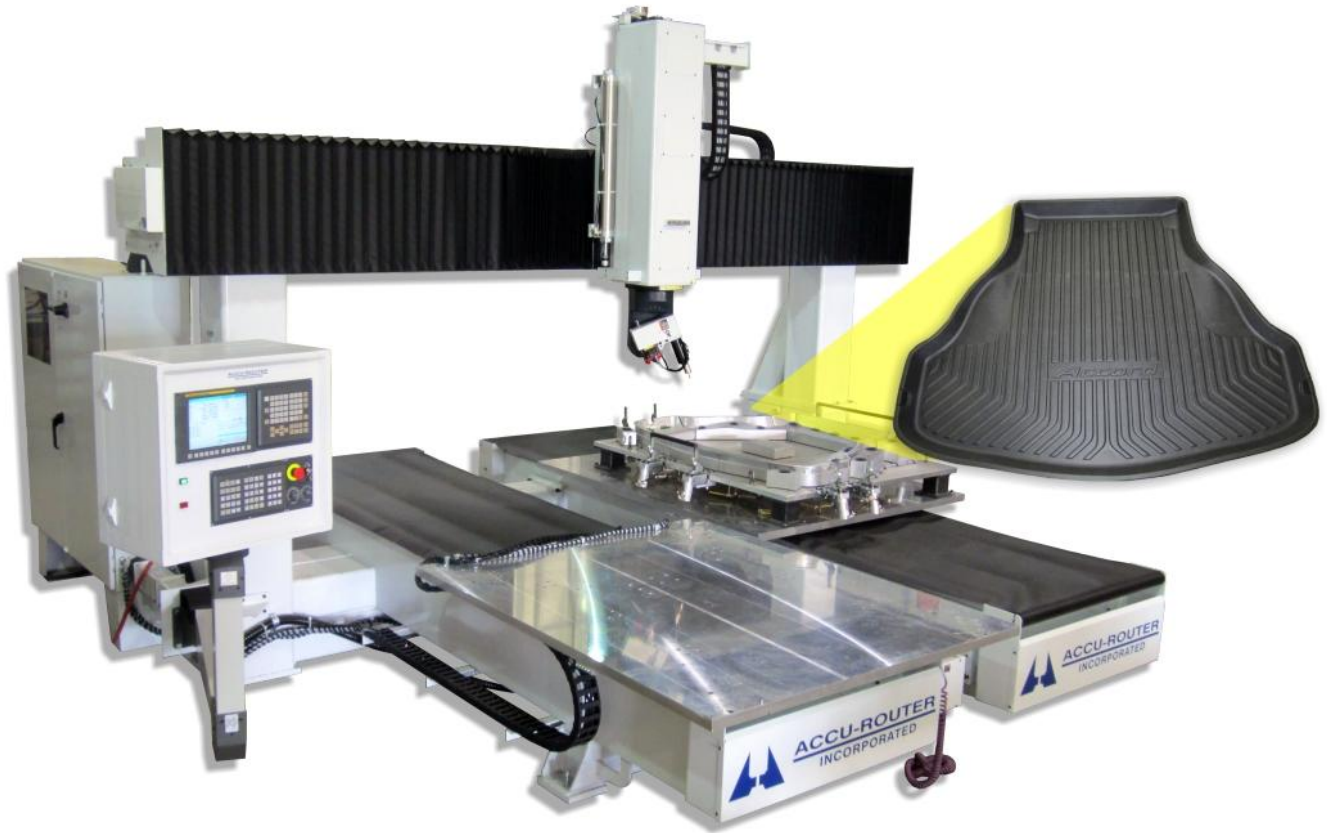


*\*\* Machine spec will vary based on customer's unique requirements*



**Your Base Accu-Router<sup>®</sup> System: Fully Upgradable & Renewable**

- Twin side-by-side 60" x 72" (5'x6') aluminum tables;
- Table machined for interface to part-holding fixtures;
- Two solenoids & 1.5HP vacuum pump;
- THK linear rails & precision ballscrews;
- programmable travels 96" (X), 13' (Y), and 24" (Z);
- Rapid positioning rates 3,000 in/min (X/base), 1,200 in/min (Y/gantry), 1,000 in/min (Z/vertical)
- bridge shrouds and table end roll-up curtains to protect ball screws & rails from contamination;
- comprehensive one year new machine warranty;
- wired for 460/3/60 electrical service.

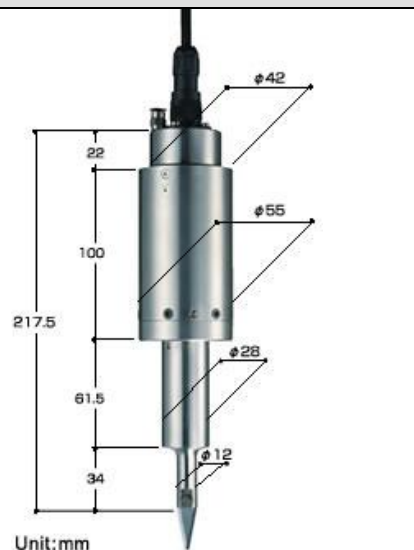


**HSD 5-Axis Head Assembly & Sonotec Cutting Knife**

Oscillator : SH-3510 Specification	
Frequency adjustment	Auto-tracking type
Max. power output	500W
Power output	Infinite adjustment
Power supply	AC200V 50/60Hz
Electricity consumption	1000VA
Outer dimension (mm)	300W X 400D X 200H
external control	on/off, Emergency stop, change of output
Weight	10kg



**Transducer : SH-8700RR Specification**



Generates powerful and stable vibrations for high-power cuttings, and is designed to allow for extended continuous use.

**Detail Drawing:**  
<http://sonotec.com/draw/SH8700RR.pdf>

Frequency	30kHz
Vibration element	PZT piezoelectric transducer
Housing material	SUS303
Weight	1100g
Blade thickness	1.0mm

**NEW FANUC Oi-MD Control (4-Axis Simultaneous Motion)**



New FANUC Oi-MD CNC control with 2MB of memory, 10.4" color LCD monitor, embedded Ethernet plus PCMCIA plug-in port and RS 232 port, Bell Shape ACC/DEC high speed machining option, 6 axes (4 simultaneous), work coordinate offset, custom Macro, programmable data input, AICC automatic cornering software for maximum cornering speeds.

**Precision Work-Holding Fixture with Vacuum Generators & Clamps**

(1) fixture per router table, custom-engineering to molded part

